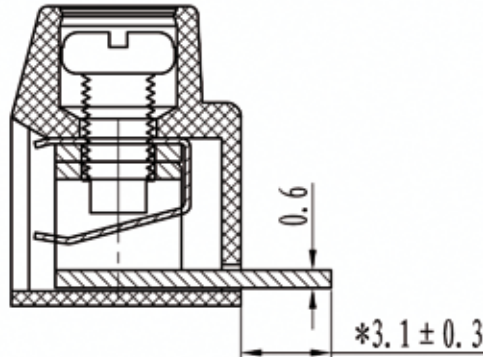
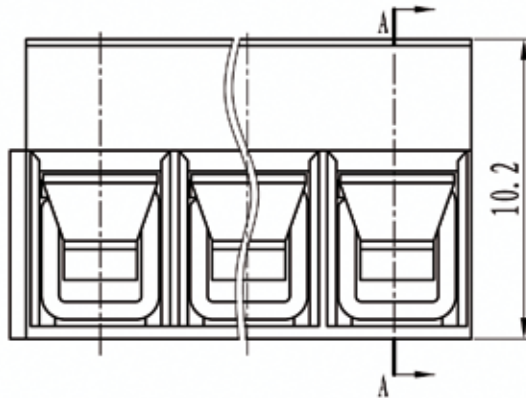
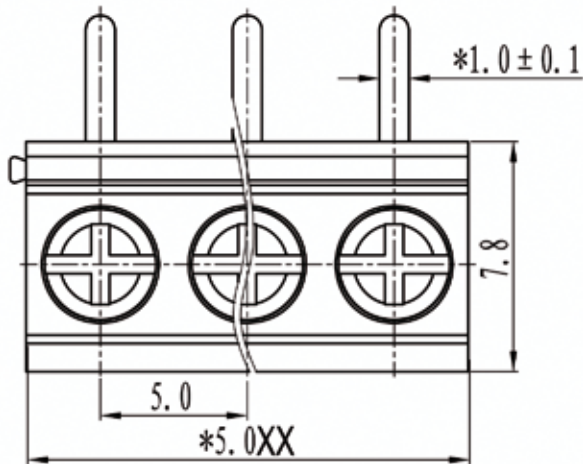


# euro-block

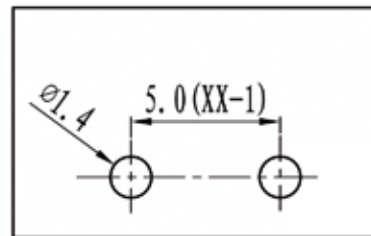
product specification



SECTION A-A



P.C.B. LAYOUT



### Electrical

Standard: UL-IEC  
 Rated voltage: 300V-450V  
 Rated current: 8A-18A  
 Wire range: 26-14AWG-1.5mm<sup>2</sup>  
 Withstanding voltage: AC2000V/1Min

### Mechanical

Torque: 0.4Nm (3.6Lb'in)  
 Temp.Range: -40°C~+105°C  
 Strip length: 6-7mm

### Dimensions

Pitch: 5.00mm (0.197")  
 Poles: 2p-xxp

### Material

Housing: PA66, UL94V-0  
 Screws: M2.5, steel, Zinc plated  
 Pin header: Brass, Tin plated  
 Wire guard: Phosphor bronze, Ni plated

TOLERANCES EXCEPT AS NOTED

| variable range | linear dimension |              |                |                 | fillet | chamfer | short angle sid |             |              | ≡   | -   | □   | //    | ⊥    |      |       |
|----------------|------------------|--------------|----------------|-----------------|--------|---------|-----------------|-------------|--------------|-----|-----|-----|-------|------|------|-------|
|                | to 6             | over 6 to 30 | over 30 to 120 | over 120 to 480 | all    | to 6    | to 10           | to 10 to 50 | to 50 to 120 |     |     |     |       |      | to 5 | to 30 |
| tolerance      | ±0.1             | ±0.2         | ±0.3           | ±0.5            | ±0.2   | ±0.5    | ±1              | 1°          | 30'          | 20' | 10' | 0.5 | 0.025 | 0.06 | 0.12 | 0.4   |

| UNITS | mm | SIZE | A4 | SCALE | FIRST ANGLE PROJECTION |         |
|-------|----|------|----|-------|------------------------|---------|
|       |    |      |    |       |                        |         |
|       |    |      |    |       | NAME                   | BLR51-H |